

3.5 Rise time:

40 MS Max.at 100Vac input and output Max load. 3.6

3.6 Hold up time:

5 MS Min.at 100Vac input and output Max.Load.

3.7 Efficiency:

80%min. at 115Vac input and output Max.Load.

80%min. at 230Vac input and output Max.Load.

3.8 No load power consumption

Rated Voltage:100~240Vac 0.3W max

4. PROTECTION FUNCTION:

4.1 Short circuit protection:

The power supply will be auto recovered when short circuit faults remove.

4.2 Over current Protection:

The power supply will be auto recovered when over current faults remove.

5. ENVIRONMENTAL REQUIREMET:

5.1 Operating Temperature:

0°C to 40°C, Full load, Normal operation.

5.2 Storage Temperature:-10°C to 80°C

With package

5.3 Relative Humidity:

25%(0°C)~75%(40°C)RH, 72Hrs, Full load, Normal operating.

6. SAFETY AND EMI REQUIREMENT:

6.1 Safety:accord with EN 60950-1.

6.2 DIELECTRIC STRENGTH Hi-Pot:

Primary to secondary, 3000Vac/5mA/60s.

Primary to Case, 3000Vac/5mA/60s.

6.3 EMI STANDARD

Meets the Limits of

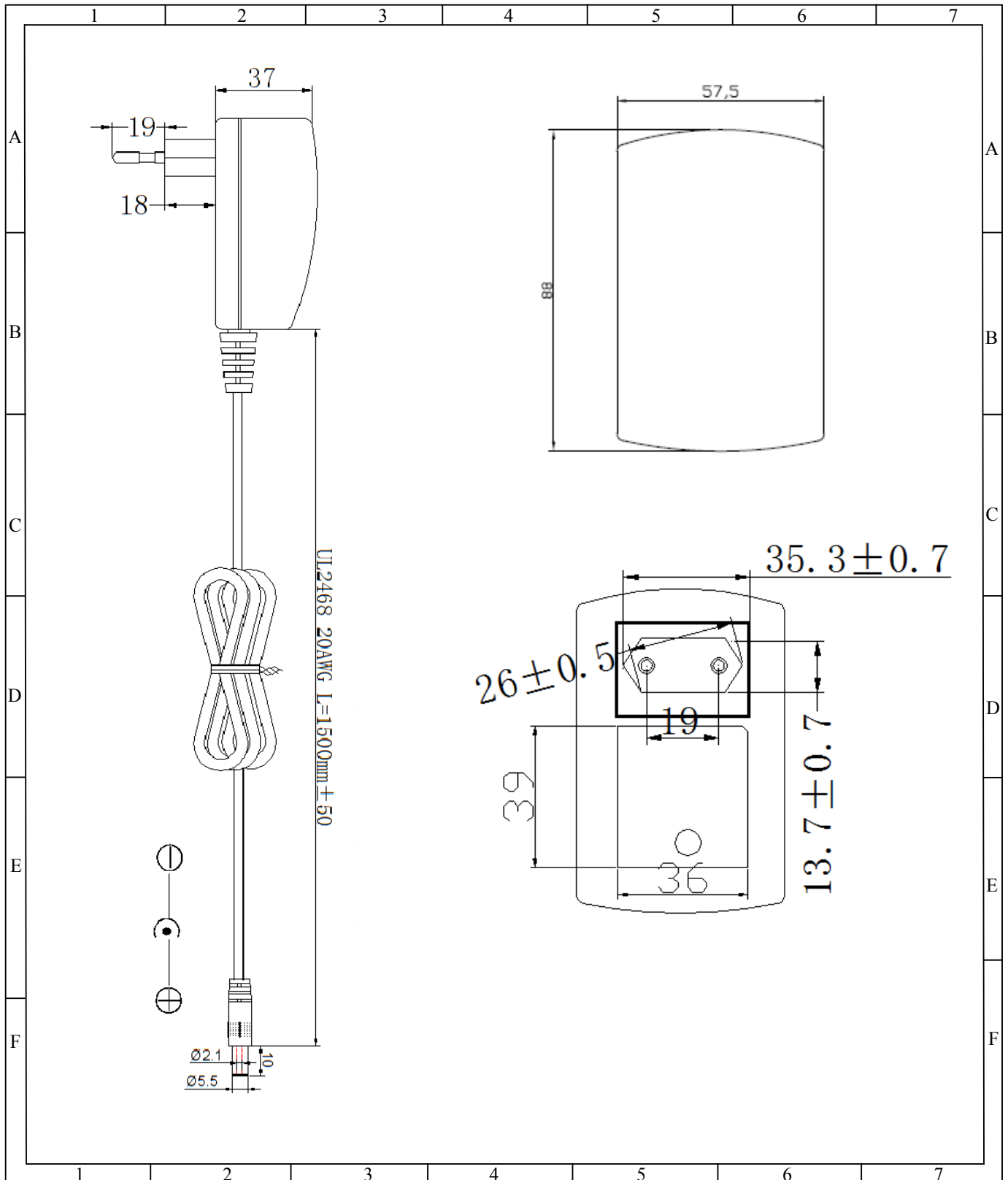
<1>. EN55022 class B rules

7. MECHANICAL REQUIREMENT:

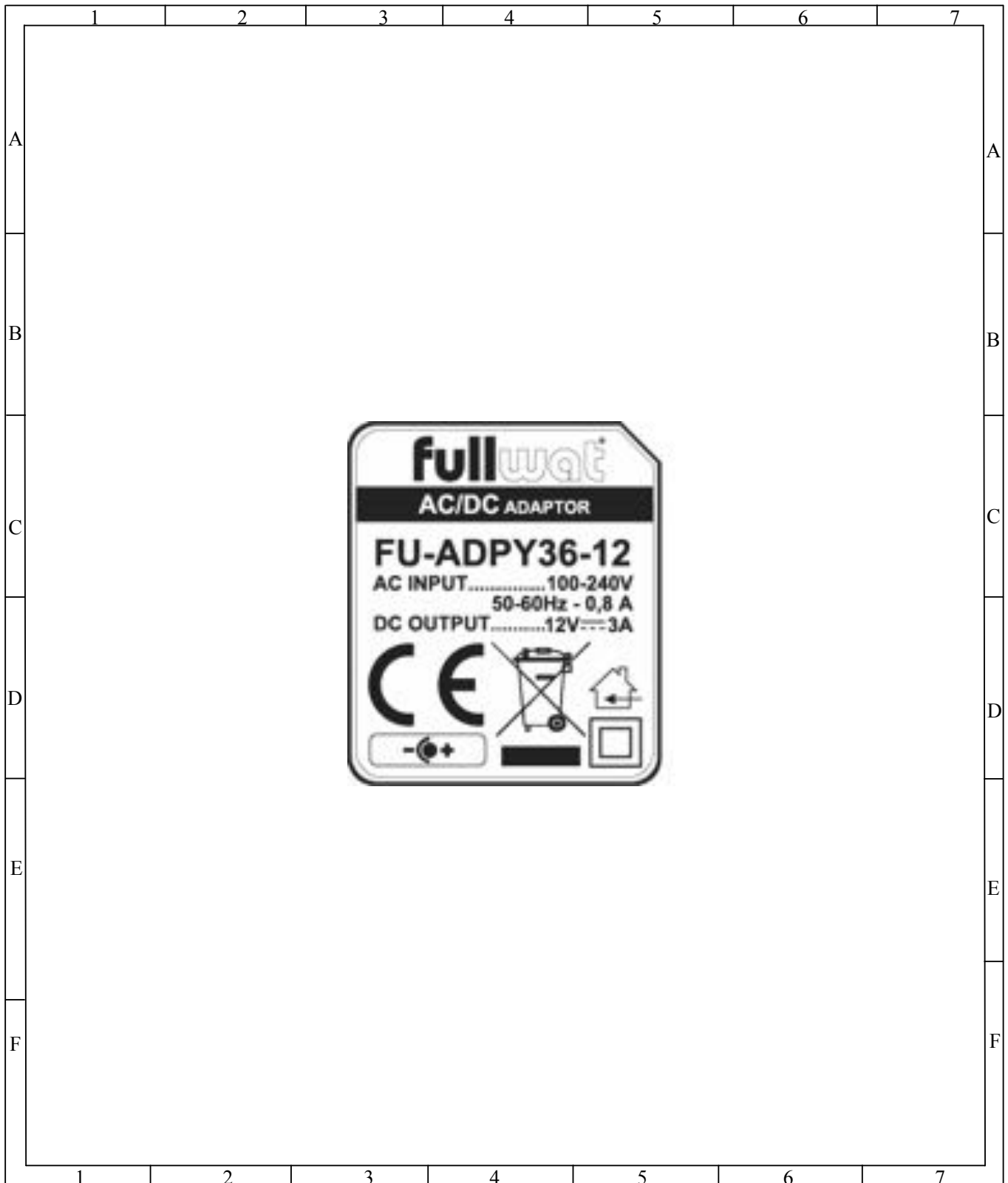
7.1 Enclosure:

The power supply size: L88 x W57.5 x H37mm;

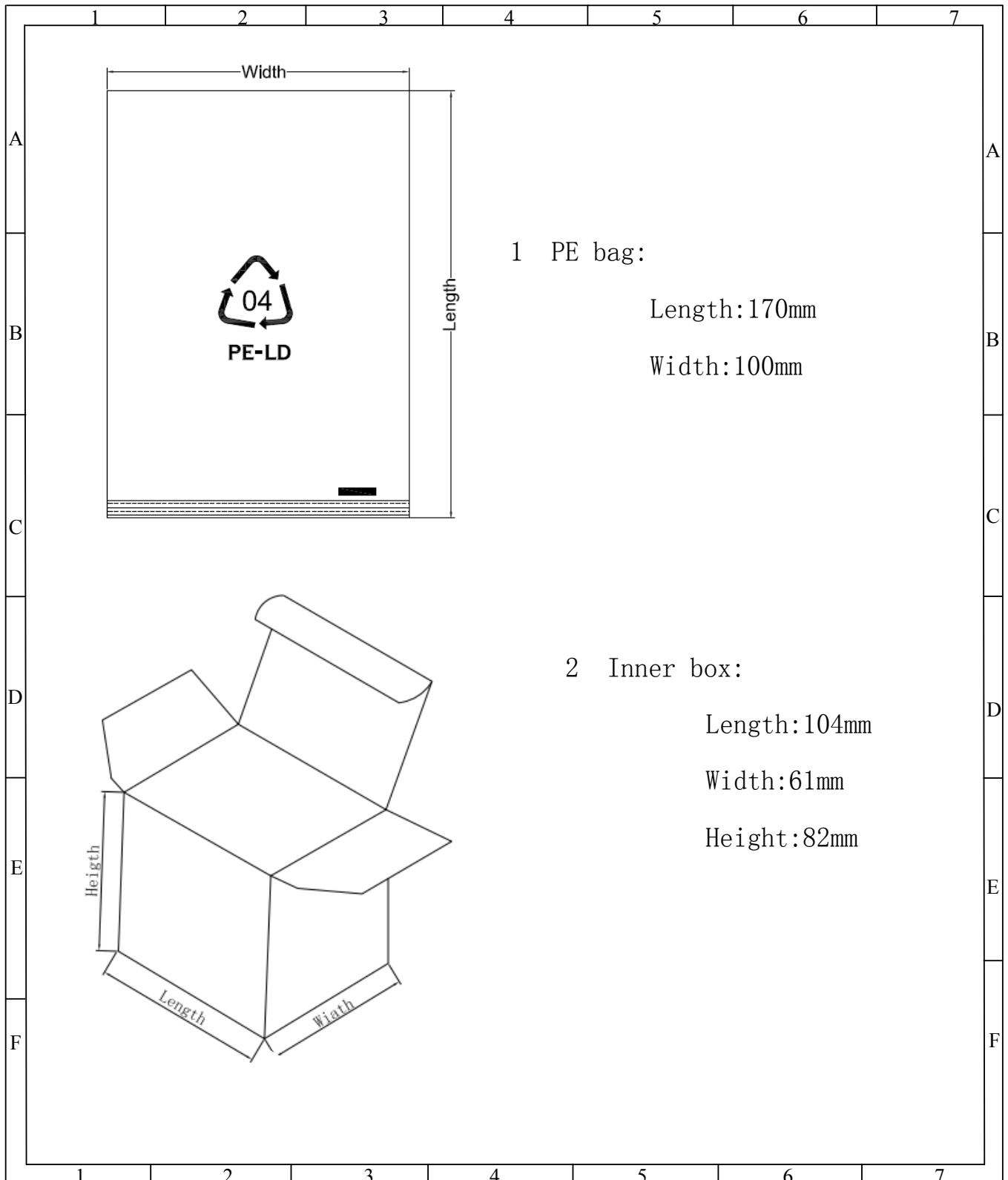
8 OUTLINE DIMENSION:

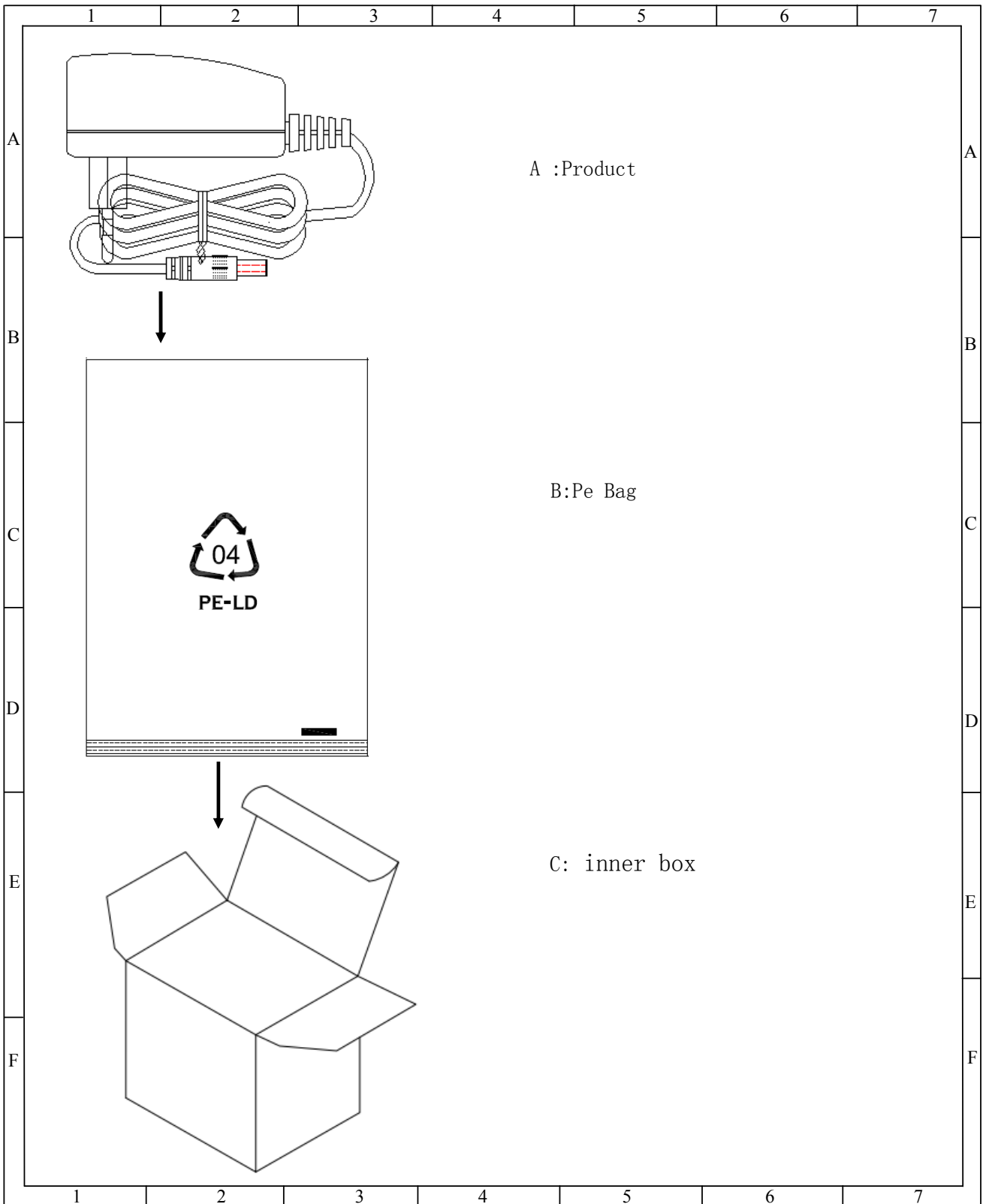


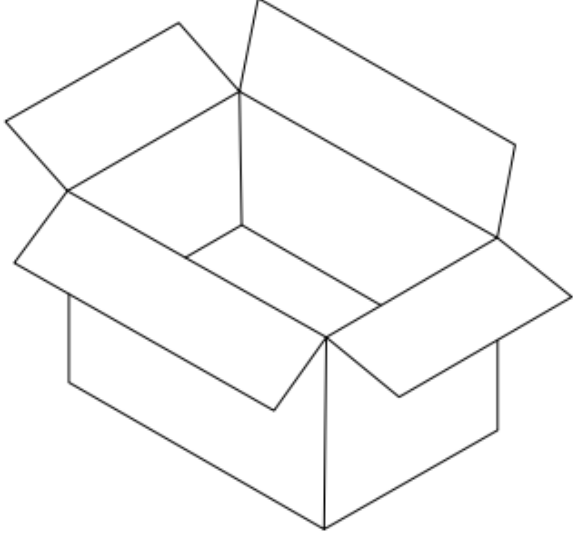
9. LABEL:



10. PACKING STEP:





	1	2	3	4	5	6	7		
A								A	
B								B	
C								<p>Packing request: Packaging Outside box: 545L*W430*145H Quantity:50PCS/CTN</p>	C
D								<p>Remarks:</p> <ol style="list-style-type: none">1. Firstly, put the product into PE bag according to the picture "A/B".2. After finishing the first step, then put the product into white box according to the picture "C".3. Then put the product into outer carton.4. When packing finished, then seals the carton and labels the mark.5. Through the QA inspection, the products can be shipped	D
E								E	
F								F	
	1	2	3	4	5	6	7		